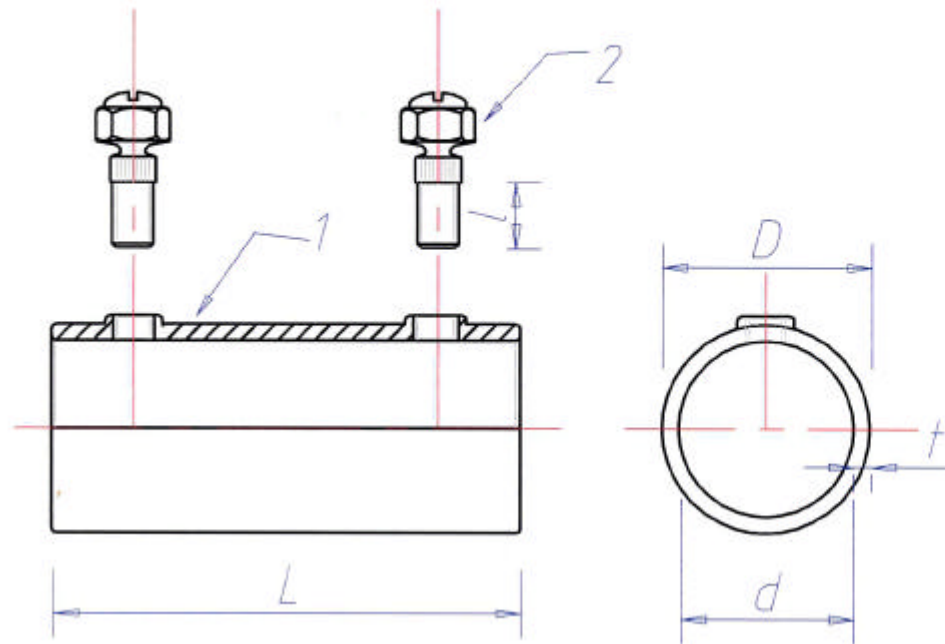


Special standard,



SIZE	16	22	28	36	42	54	70	82	92	104
L	57	66	76	85	95	110	115	130	145	155
D	25.4	31.2	38.1	47.6	54.8	65.6	83.1	96.1	109.5	123.0
d	21.4	27.0	34.1	42.6	48.8	60.6	76.4	89.0	102.0	115.0
t	2.0	2.0	2.0	2.5	2.5	2.5	3.2	3.5	3.8	4.0
screw	5-5.5	5-5.5	5-5.5	5-7.4	5-7.4	5-7.4	5-7.4	5-7.4	5-7.4	5-7.4
W/g	65	90	140	245	310	440	560	1130	1440	1830

1 BODY

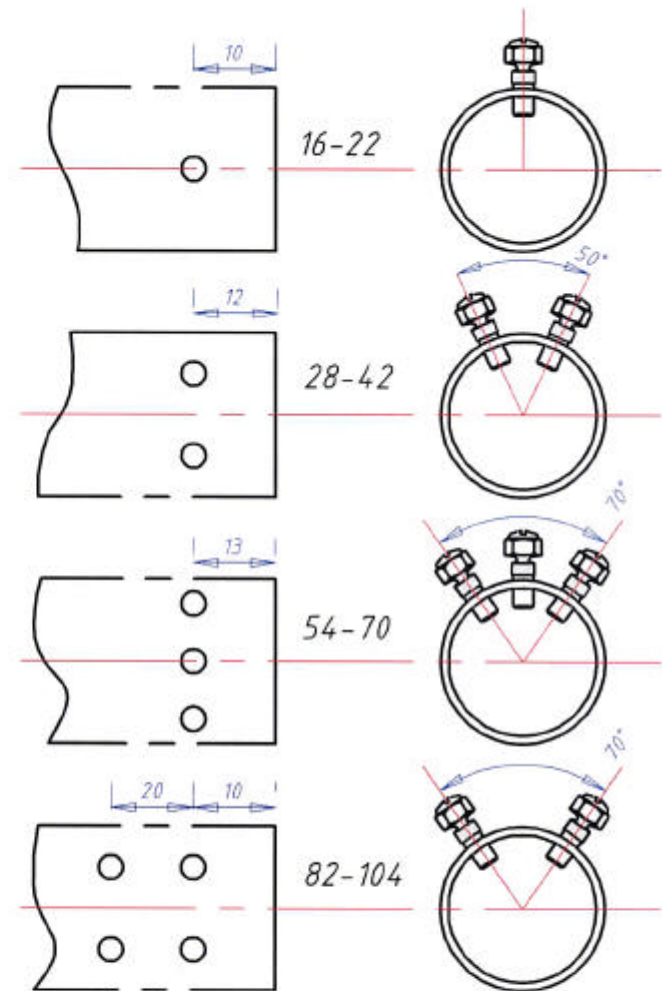
Material : Steel.

Surface treatment : Electro galvanized.

3 TORQUE SCREW M5-P0.9mm

Material : Steel.

Surface treatment : Electro galvanized.



Productin KOB

Tehnology control sales JOINT

FILM NAME	F602-20020511 Auto CAD
DRAWN CHECK APPR ISSUED	EMT Set Screw Couplings joint kogyo T.okano