

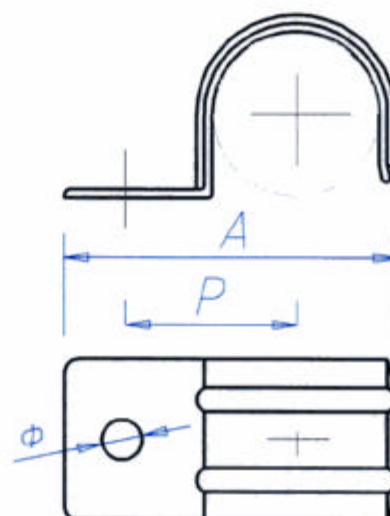
1 本体

材質：鉄板

表面処理：電気メッキ(ユニクロ)

JS Two hole straps

SIZE	10	12	16	22	28	36	42	54	70	82
A	50	52	56	62	70	80	88	104	130	142
P	36	38	42	48	56	66	72	88	100	122
W	16	18	20	22	30	30	35	40	40	40
D	15.5	18.0	21.5	26.5	33.5	42.0	48.5	60.0	76.5	88.5
Φ	5.2	5.2	5.2	5.2	5.2	6.2	6.2	6.2	8.2	8.2
t	1.0	1.0	1.0	1.0	1.2	1.4	1.4	1.4	1.4	1.4
H	17	20	23	29	35	44	51	62	78	91
PCS	50	50	50	50	50	20	20	20	20	20



JH One Holepush-on straps

SIZE	10	12	16	22	28	36	42	54
A	35	37	41	47	54	64	71	85
P	18	19	21	24	28	33	36	44
W	16	18	20	22	30	30	35	40
D	15.5	18.0	21.5	26.5	33.5	42.0	48.5	60.0
Φ	5.2	5.2	5.2	5.2	5.2	6.2	6.2	6.2
t	1.0	1.0	1.0	1.0	1.2	1.4	1.4	1.4
H	17	20	23	29	35	44	51	62
PCS	50	50	50	50	50	20	20	20

Productin SKK

Tehnology control sales JOINT

FILM NAME	B222-20020511 Auto CAD
DRAWN CHECK APPR ISSUED	JS, JH 両・片サドル joint kogyo T.okano